

Willett 430

Small Character Continuous Ink Jet Printer



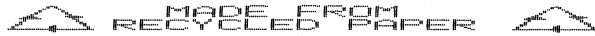
The 430 is for industrial users who need a competitively priced printer whilst demanding the latest in ink jet technology. The 430 incorporates a new patented printhead design which delivers class leading reliability and print quality.

- ▲ Push button start/stop with automatic printhead cleaning
- ▲ High speed printing of up to 3 lines of text, barcodes and logos
- ▲ On screen generation and editing of graphics and logos through an easy-to-use interface
- ▲ Range of quick drying low environmental impact inks
- ▲ Easy to operate and maintain
- ▲ Storage for up to 25 messages
- ▲ Fully compatible with Connector software

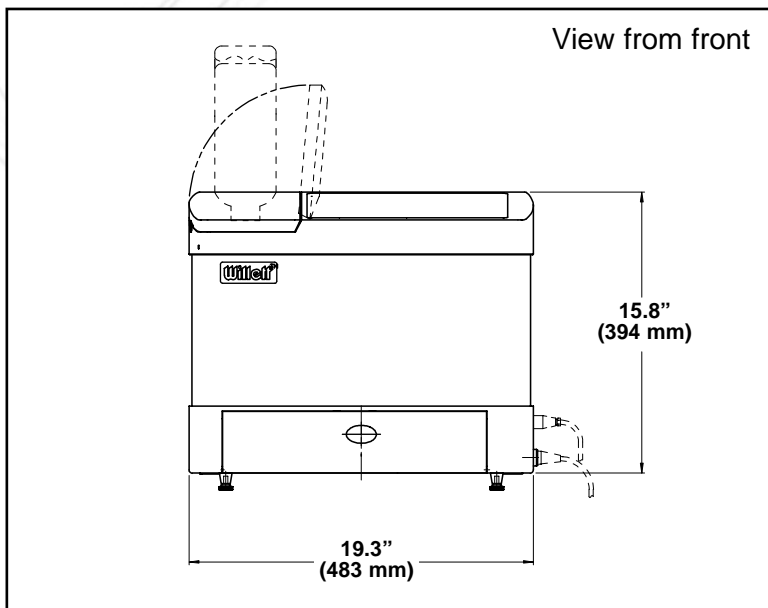
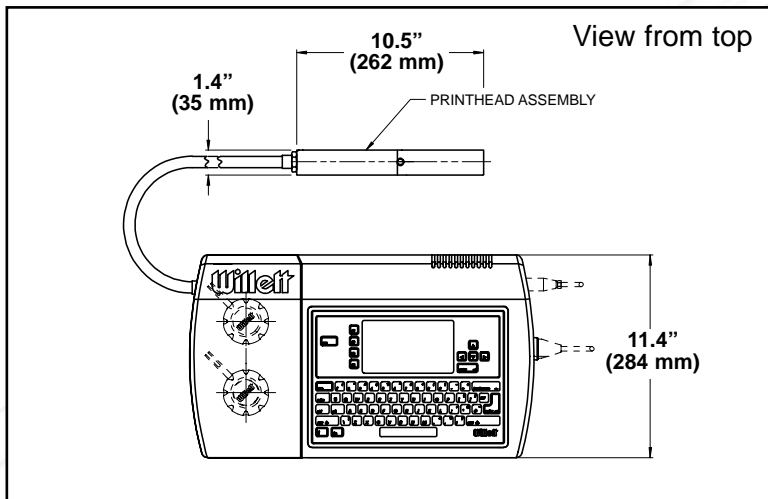
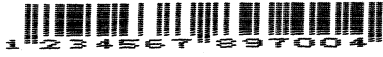


Willett 430

Small Character Continuous Ink Jet Printer Technical Specification



430 PRINTER RUNNING ON 211 ETHYL ACETATE INK
PRINTING THREE LINES OF TEXT IN A 2 HIGH FONT
430 PRINTER RUNNING ON 211 ETHYL ACETATE INK



Videojet Technologies Inc.
1500 Mittel Boulevard
Wood Dale IL • 60191-1073 • USA
Phone: 630-860-7300 • Fax: 630-616-3623
1-800-843-3610

Standard Features:

- Shift coding
- Maintenance due indicator
- Simple WYSIWYG message creation
- Up to 3 lines of code
- Automatic printhead flushing during start up and shut down
- Local language message editing and display
- Logo and graphics creation
- Password protection system
- Sequential numbering
- Continuous print capability
- Current and expiry time and date coding
- 10 feet (3 metre) printhead umbilical
- Barcode printing
- Optimum throw distance .36 inch (9mm)
- QWERTY keypad
- Simple push button operation
- 25 message memory
- Multi-national character printing

Print Speed:

- Up to 1,600 chars/sec/line

Fonts:

- 5 x 5, 7 x 5, 9 x 6, 16 x 11, 24 x 17

Print Height:

- 0.08 to 0.4 inches (2 to 10 mm)

Electrical Requirements:

- 110/230 VAC, 50/60 Hz
- 200VA

Environment:

- Temperature range 41°F - 104°F (5°C - 40°C)
- Humidity up to 90% non-condensing

Inks:

A comprehensive range of inks, including low environmental impact and substrate specific, for a variety of applications and industries

Data Input:

- Shaft encoder
- Product detector NPN/PNP
- RS232C serial port

Options:

- Modem and remote diagnostic support
- LAN port/RS485/20mA loop
- Visual status indicator
- Alarm outputs
- Remote print message selection
- Condenser kit
- Printhead positive air kit
- Air dryer kit

Approvals:

