

Videojet® 6250

Thermal Transfer Overprinter

Thermal Transfer.

- Ink Jet.
- Laser.
- Labelers.
- Track & Trace.
- Supplies.
- Parts & Service.

The compact Videojet® 6250 Thermal Transfer Overprinter (TTO) delivers high resolution images on flexible packaging while maintaining the uptime experience of a high performance coder. For marking variable information, this system provides the ultimate in productivity, efficiency and space utilization through *integrity, interface, integration and design.*

Integrity

- Error free coding facilitated by:
 - Using relevant job names meaningful to the operator and related to the production
 - Advanced automated date features limit operator choices to predefined values, date avoidances and valid dates
 - Predefined user lists, character masking and visual calendar display
 - Optional hand held bar code scanner to allow selection of predefined jobs without user input
 - CLARiTY® configuration manager tool to securely edit and save coder parameters to ensure uptime

Interface

- Best-in-class intuitive graphical user interface incorporating easy to learn, icon-based controls
- Full preview and WYSIWYG display to validate message/code
- Large color touch screen



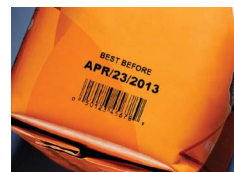
Integration

- Compact size allows integration in most production lines
- Easy to use integration protocol for automated operation
- Advanced coder and message management controls using CLARiNET® system software
- Ability to use host machine interface to fully operate printer via web browser

Design

- Proven, patented and highly reliable clutchless bi-directional ribbon drive
 - Consistently maintained ribbon tension virtually eliminates unscheduled ribbon-related downtime
 - Lower cost of ownership by using various ribbon save features
- Quick, easy ribbon changeover from simplest cassette design in the industry

Reliable, efficient coding from a compact, mid-range printing solution



Printhead

32 mm, 300 dpi (12 dots / mm)

Print Area

Intermittent Printing Mode

Right hand: 32 mm x 38 mm (1.26" x 1.50")

Left hand: 32mm x 35mm (1.26" x 1.38")

Continuous Printing Mode

32 mm x 100 mm (1.3" x 3.9")

Printing Modes

Continuous & Intermittent modes in the same machine

Print Speed

Intermittent: 50 mm/sec. to 750 mm/sec. (2.0"/sec to 29.5"/sec)

Continuous: 0 mm/sec. to 750 mm/sec. (0.0"/sec to 29.5"/sec)

Throughput

Up to 250 PPM; linear speed up to 750 mm/sec. (29.5"/sec)

Printing Capabilities

Full downloadable font support using TrueType® fonts (including multiple languages and Unicode support)

Fixed, variable and merged text fields

Flexible date / time formats (based on internal real time clock)

Flexible shift code formats

Auto best before date calculations and concessions management

Counters and bar codes

Multiple graphics formats supported (up to maximum print area)

Link fields to databases

Scalable text and text blocks

User entered text and numeric data (including Chinese)

Bar Codes

EAN 8, EAN 13, UPC-A, UPC-E, Code 39, EAN 128, Code 128, ITF, RSS (including 2D composite codes); others available upon request

Operator Interface

8.4" TFT SVGA (800x600) full-color LCD and large touch screen

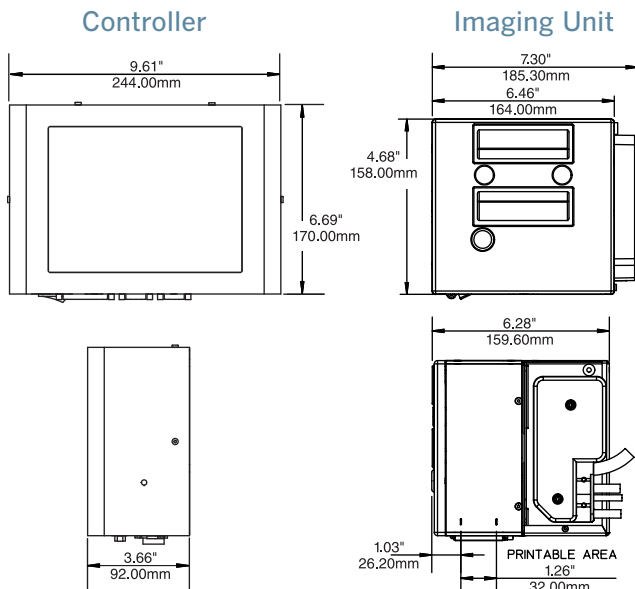
Full preview and WYSIWYG display to validate message/code

Full on-board diagnostics

3 levels of password protection

Extensive language support

Dimensions



Ribbon Drive

Solid-state, clutchless bi-directional ribbon drive, including:

- End of reel detection
- Ribbon consumption indication
- Ribbon save modes
 - Interleave (uses even or odd printhead pixels)
 - Intermittent stripes (uses gaps between lines)
 - Radial ribbon save
 - Radial ribbon save with line separated mode
- Assured 0.5 mm ribbon gap between prints

Ribbon Length

Up to 700 meters (2,297 feet) available in variety of grades and colors

Ribbon save features

Ribbon Widths

22 mm and 33 mm (0.9" and 1.3")

Image Design Management

Created using CLARiSOFT®

Stored locally in printer's internal memory (2GB)

Loaded via USB memory stick or RS232

Two customizable default job templates for standard date codes

Coder Configuration Software

CLARiTY® Configuration Manager (included)

Standard Installation Options Master / Slave Configuration

Up to (4) 6250 printers controlled via a single CLARiTY control unit

Web Browser Mode

Remote control of the 6250 from a host bagging machine operator interface

External Communications

RS232, Ethernet and USB memory stick support

External Inputs (Configurable)

Print Go

Inhibit Print

Quadrature encoder (single phase not supported)

External Outputs (Configurable)

Fault

Warning

Busy

Printing

Air Supply

6 Bar, locally regulated

Air Consumption

1.0 ml/cycle (max)

Power Supply Requirements

100-240 VAC 50/60Hz, 0.95-1.8 A

Multiple power saving modes available

Operating Temperature

2°- 40° C (36°-104°F)



800-843-3610

www.videojet.com / info@videojet.com

Videojet Technologies Inc. / 1500 Mittel Blvd.

Wood Dale IL 60191-1073 / USA

Phone 630-860-7300 Fax 800-582-1343