



Continuous Inkjet

1620 Ultra High Speed

In the past, achieving greater speed on your production line meant compromising the print quality, accuracy and clarity of your coding content. With Videojet 1620 UHS you never have to make that choice again.

A unique combination of hardware, software and advanced ink formulations enables the Videojet 1620 UHS to meet the demands on your production lines. It delivers superior speed without compromising your coding content, print quality or, in fact, your uptime.

The Videojet 1620 UHS is the ideal printer for high speed, high throughput applications, including those found in the canning, beverage, and dairy industries.



Speed without compromising quality

- Videojet's Precision Ink Drop™ system provides precise character formation, even at the highest speeds and longer throw distances
- Dynamic Calibration™ adjusts jetting parameters automatically to ensure high quality print
- Superior technology enables you to add content without compromising speed
 - Single line max speed = 1666 ft/min (508m/min)
 - Dual line max speed = 694 ft/min (212m/min)
 - Tri-line max speed = 588 ft/min (179m/min)

When there's no upside to downtime

The Videojet 1620 UHS gives you an uptime advantage via:

- CleanFlow™ technology resists ink buildup that can cause ordinary ink jet printers to shut down
- Long run time between preventive maintenance, up to 14,000 hour core life
- Internal pump means no external air, minimizing potential for contaminants to enter ink stream
- Auto cleaning printhead for fast start-ups even after extended shutdowns

No mess, no waste fluid delivery

- Make-up consumption as low as 2.4ml/hour
- Smart Cartridge™ fluid delivery system to virtually eliminate spills and ensures the correct fluids are being used

Videojet 1620 Ultra High Speed

Continuous Inkjet

Line speed capability

Can print 1 to 3 lines of print at speeds of up to:
Single line max speed = 1666 ft/min. (508m/min)
Dual line max speed = 694 ft/min. (212m/min)
Tri-line max speed = 588 ft/min. (179m/min)
(10 characters per inch, single line of print)

Font matrix configuration

Single-line: 4x5, 5x5, 4x7, 5x7, 7x9, 10x16
Twin-line: 4x5, 5x5, 4x7, 5x7, 7x9
Tri-line: 4x5, 5x5, 4x7, 5x7, 24 Drop Mixed Raster

Linear bar codes

UPC A&E; EAN 8 & 13; Code 128 A, B & C; UCC/EAN 128;
Code 39; Interleaved 2 of 5; 2D DataMatrix; GS1

DataMatrix codes

Square Form up to 24x24; Rectangular Form up to 16x48

Nominal character height

Selectable from 0.079" to 0.472" (2mm to 12mm), depending on font

Throw distance

Optimal: 0.394" (10mm)
Range: 0.197" to 0.591" (5mm to 15mm)

Keyboard

Membrane style with tactile feedback, including 72 numeric, alphabetic, and special function keys. PC-style layout to approximate international PC convention.

Display

320x240 Bright blue backlit 5.7" LCD display.
WYSIWYG onscreen message editing

Custom logo/graphics

Can be created by individual user on printer or PC with optional Videojet Logo Creator software

Character sets

Chinese, Russian/Bulgarian, Turkish/Scandinavian, Greek, Arabic, Japanese/Kanji, Hebrew, Korean, East European and European/American

Languages and interface options

English, Arabic, Bulgarian, Czech, Danish, Dutch, Finnish, French, German, Greek, Hebrew, Hungarian, Italian, Japanese, Korean, Norwegian, Polish, Portuguese, Russian, Simple Chinese, Spanish, Swedish, Thai, Traditional Chinese, Turkish and Vietnamese

Data interface

RS232, RS485 and ethernet (standard)
CLARISOFT/Clarinet® via RS232 and ethernet
Message management via USB

Message storage

250 complex messages

Environmental protection

IP65 standard; no plant air required; stainless steel cabinet

Printhead

Heated printhead
Positive air (standard)
Nozzle size: 50 micron
Diameter: 1.63" (41.3mm)
Length: 10.62" (269.8mm)

Printhead umbilical

Ultra flexible
Length: 9.84' (3m) optional 19.69' (6m)
Diameter: 0.83" (21mm)
Bend radius: 4.0" (101.6mm)

Make-up fluid consumption

As low as 2.4ml/hour

Fluids containers

Ink Smart Cartridge™ 0.793 qt. (750ml)
Make-up smart cartridge 0.793 qt. (750ml)
Ink bulk system 5.28 qts. (5 liters)
Make-up bulk system 5.28 qts. (5 liters)

Temperature/humidity range

41°F to 113°F (5°C to 45°C)
0% to 90% RH non-condensing
With selected inks; actual installation may require additional hardware based on production environment conditions

Electrical requirements

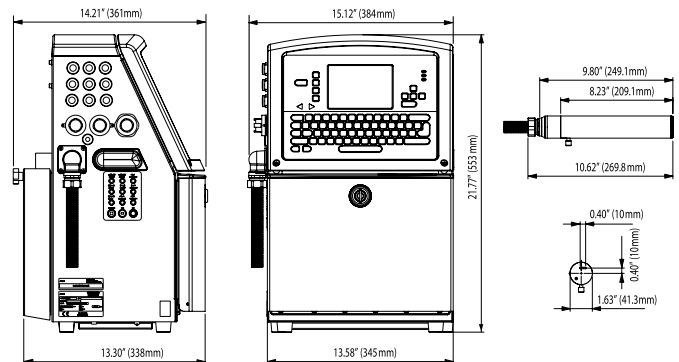
Nominal supply power 100-120 / 200-240 VAC at 50/60 Hz,
120W peak maximum, 60W nominal

Approximate weight

Unpacked and dry: 46.2lbs. (21kg)

Options

Dry air kit for high humidity (requires plant air)
Wide range of accessories



Call **800-843-3610**

Email **info@videojet.com**

or visit **www.videojet.com**

Videojet Technologies Inc.

1500 Mittel Blvd. Wood Dale IL 60191 / USA

©2015 Videojet Technologies Inc. — All rights reserved.

Videojet Technologies Inc.'s policy is one of continued product improvement. We reserve the right to alter design and/or specifications without notice.

Part No. SL000563
ss-1620uhs-us-1115
Printed in U.S.A.

