

Cheshire[®] TLS

Tab - Label - Stamp System

Printers.

Material Handling.

Controllers.

Vision.

Supplies.

Parts & Service.

The Cheshire TLS™ System has been designed to provide the busy mailing professional superior performance for tabbing, labeling and stamp applications. From the caster-enabled base, to production rates exceeding 30K pieces/hour (depending on media or tab/label/stamp), the needs of the professional mailer have been answered.

Precise automatic application of tabs on a wide variety of media

- Meet requirements of client, operator, owner, USPS
- Apply marketing messages at production speeds
- Save hours of labor spent hand-labeling and stamping
- Apply stamps to deliver a professional appearance to finished pieces
- Apply postage accurately
- Can be used in-line with most friction feeders, feeder bases, mail tables and even some folders
- Tab, label, stamp with in-house capability, control and quality



Easy set up and operation

Setting up a job with the Cheshire TLS system is easier than most mailing equipment.

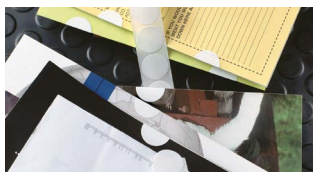
- Easy job setups, quick changeover, effortless repositioning and feature flexibility ensure optimum performance and reduced maintenance budgets
- Simple, thorough operator instructions ensure expedited operator training

Dual tabbing option

The Cheshire TLS offers a dual tabbing configuration for meeting 2009 USPS postal regulations for tabbing booklets.

- Economical upgrade package to reduce the capital investment required
- Optional Power Turn system can run 18,000 pieces per hour — twice the speed of bump turns

VIDEOJET
Uptime Peace of Mind[®]



Select Product Specifications

Configurations

2" or 4" (5 cm or 10 cm) systems available (max. width of backing material)

Product Size

Minimum: 3" x 5" (7.6 x 10 cm)

Maximum: 13.5" x 17" (34 x 43 cm) long

Min. Thickness: Folded 20# single sheet

Max. Thickness: 5/8 (1.6 cm)

Tabs/Labels/Stamps

Self-adhesive on roll with 3" (7.6 cm) core with min. 1/16" (1.66 mm) gap between tabs, labels, stamps

Min. Width: 3/4" (1.9 cm) backer width

Max. Width: 2" (5 cm) backer width with 2" system; 4.5" (11 cm) backer width with 4.0" (10 cm) system

Minimum Pitch: 3/4" (1.9 cm)

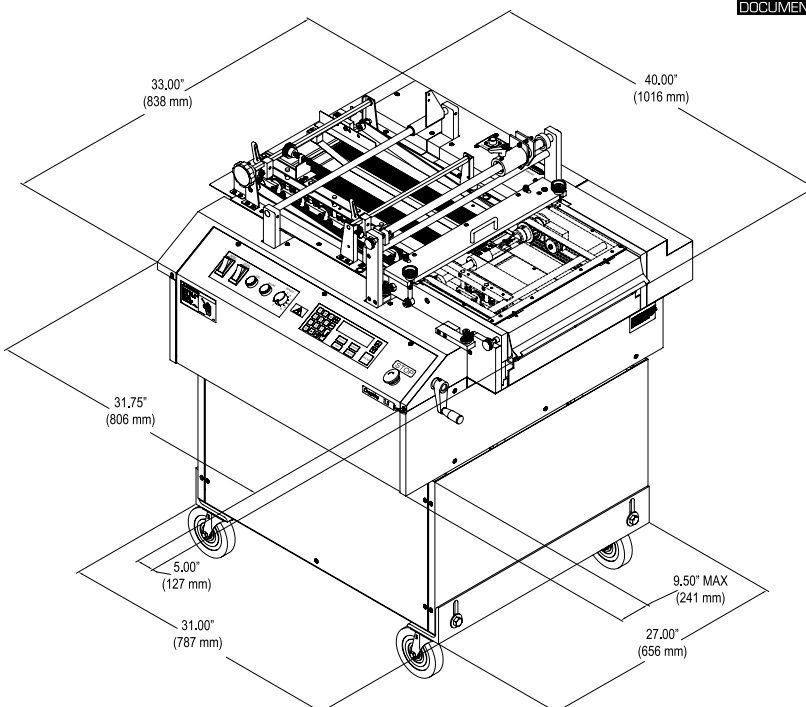
Maximum Pitch: 7" (17 cm)

Types: machine grade paper, clear, and translucent. Note: clear and translucent require an "engineered backer" with registration marks for indexing

Roll Size: up to 19 1/2" (49.5 cm) diameter mounted on 3" (7.6 cm) diameter core

Approx. Roll Capacity: 50,000 ea. 3/4" (1.9 cm), 40,000 ea. 1" (2.5 cm) or 60,000 ea. clear 1.5" (3.8 cm) tabs

Dimensions



Speeds

Transport Belt Speed: 0 to 600 fpm (182 m/min.)

Tabbing Head Speed: 0 to 375 fmp (114 m/min.)

Production Rate: Up to 30,000 pieces per hour (single tab on 8 1/2" (21 cm) length product); up to 30,000 pieces per hour (double tab on 8 1/2" (21 cm) length product)

Application Speeds: Transport belt speeds of 0 to 600 fpm (182 m/min.) for tabs < 2" (<5 cm) in pitch. Transport belt speeds of 0 to 375 fpm (0 to 114 m/min.) for tabs > 2" (>5 cm) in pitch

Accuracy

Tab placement: +/- 1/8" (+/- 3 mm) repeatability

Automatic placement according to USPS specifications for tab placement and application

Interconnect Cables

Emergency Stop – Cabling available to permit easy interconnection between emergency stop circuits of the TLS system and Cheshire 7000 Series Bases

Dimensions

System Length: 37" (94 cm)

System Width: 33" (84 cm)

System Height: 71" (180 cm)

Tabletop Height: 34 3/4" to 37 3/4" (88 cm to 96 cm)

Operating System

MS Windows XP SP2

Electrical Requirements

115 VAC @ 10 amps

Weight

Approx. 450 lbs. (204 kg)

CERTIFIED
ISO 9001
DOCUMENTED QUALITY



800-843-3610

www.videojet.com / info@videojet.com

Videojet Technologies Inc. / 1500 Mittel Blvd.

Wood Dale IL 60191-1073 / USA

Phone 630-860-7300 Fax 800-582-1343